

Specifications

Battery Powered X-ray Generator

Models	SM-20HF-B-D-C	SM-32HF-B-D-C	SM-40HF-B-D-C	SM-50HF-B-D-C
	X-ray Generator			
Generator Type	Battery Powered High Frequency X-ray Generator with Constant Potential - Microprocessor Controlled			
kW Range (@ 100 kVp 100 ms)	20 kW	32 kW	40 kW	50 kW
kVp Range, in 1 kVp steps	40 - 125 kVp (*)		40 - 150 kVp	
kVp Accuracy	± 3% + 1 kVp			
mA Range	10 - 320 mA		10 - 500 mA	
Number of Stations	16		18	
mA Accuracy	± 4% + 1 mA			
Exposure Time Range	1 ms - 10 s			
Exposure Time Accuracy	± 2% + 0.1 ms			
mAs Range	0.1 - 500 mAs			
Anatomical Program (APR)	Yes (Fully editable APR, with unlimited number of Programs)			
Control	17" Touch-Screen Control Panel			
	X-ray Tube and Collimator			
Anode	Rotating - Low Speed			
kVp	150 kVp			
Anode Heat Storage Capacity	300 KHU			
Dual Focal Spots	0.7-1.3 mm (**)		0.6-1.2 mm	
Target Angle	16° (**)		12°	
Collimator Type	Manual with centering light, electronic timer and meter (***)			
	Operation			
Line Voltage Range and Phases	Single-Phase Line at 110 VAC or 230 VAC ± 10%			
Operation	Independent from mains supply			
Batteries Specifications	Lead-acid Maintenance-free - 15 Ah - Storage Capacity: 137,000 mAs at 80 kVp - Maximum charge time 10 hours			
Independent Batteries	Independent batteries for the X-ray Generator and the Motorization (with independent indicators)			
Batteries Capacity at full charge	Batteries provide full operation for more than 200 exposures at 80 kVp, 150 mA and 0.5 sec, with 30 sec. between exposures.			
Movement	Motorized Unit up to 5 km/h. with two independent motors (one for each wheel)			
Maximum Driving Slope	Up to a 5° Slope (8.8%)			
	Positioning			
Column Rotation	± 315°			
Tube Rotation (Tube-arm Axis)	± 180°			
Tube Rotation (Tube-head Axis)	+ 90° / - 30°			
Vertical Tube Travel (Standard Column)	1,470 mm. (57.8") - Max SID 2,020 mm. (79.5") / Min SID 550 mm. (21.7") - Total Column Height = 1,980 mm. (77.9")			
Vertical Tube Travel (Short Column)	1,340 mm. (52.8") - Max SID 1,890 mm. (74.4") / Min SID 550 mm. (21.7") - Total Column Height = 1,850 mm. (72.8")			
Horizontal Tube Travel (Telescopic Arm)	550 mm. (21.7") - Max extension 1,250 mm. (49.2") / Min extension 700 mm. (27.6")			
Collimator Rotation	± 90°			
	Options			
	Infrared Remote Control for Preparation/Exposure			
	Bucky Connection			
	Dose/Area Meter			
	(*) Upgrade to 40-150 kVp			
	(**) Change to X-ray Tube with dual focal Spots 0.6-1.2 mm. and 12° target Angle			
	(***) Laser centering			

SEDECAL

C/ Pelaya, 13 - Polígono Industrial "Río de Janeiro"
28110 - Algete (Madrid-SPAIN)
Central Offices:
Tel.: (34) 91 - 628 0544 / 91 - 628 1592
Fax: (34) 91 - 628 0574
Email: marketing@sedecal.com

Factory:
Tel.: (34) 91 - 629 0721
Fax: (34) 91 - 629 0783
Email: manufacturing@sedecal.com



Your OEM partner



▶ ▶ ▶ *Digital Mobile X-Ray Unit*



*Digital Easy **Moving C***



Your OEM partner

Canon

Introduction



Digital Easy Moving C is a Mobile X-Ray Unit combined with the latest digital technology in Flat Panel Detectors (FPD). Also includes the most powerful range of mobile units (from 20 Kw to 50 Kw High Frequency Generators).



SEDECAL Digital Mobile Series cover all the specific needs for any radiography examination: patient on bed, first aid and emergency, orthopaedics, paediatric and operating room.

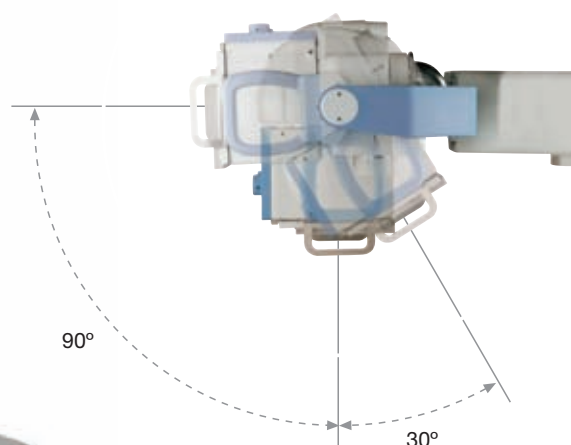
All the Flat Panel Detectors used with the system are lightweight and portable, easy to use and flexible to perform in any circumstance of the patient.



The **Digital Easy Moving C** has been designed with the following advantages: easy driven, easy rotation and easy extension.

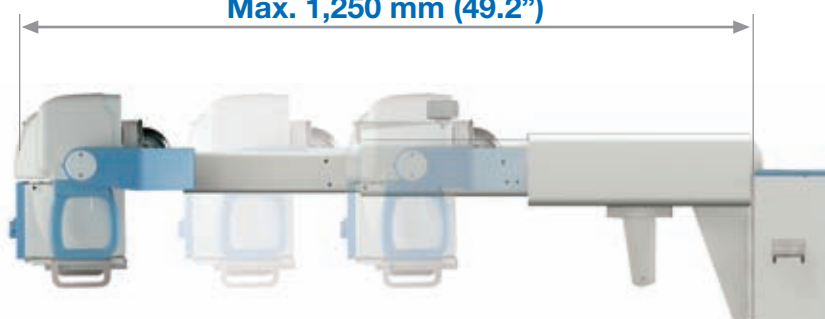


The X-Ray tube rotates up to 120° to make easier bedside and vertical bucky examinations.



Servo-assisted motor-driven unit, with free positioning by pressing the handle. The speed is also controlled by pressing/releasing this handle.

Max. 1,250 mm (49.2")



The system includes a telescopic arm with a large extension of 1,250 mm, column rotation and vertical movement of the X-Ray tube, which permits any positioning.

Digital Easy **Moving C**

Comfort / Safety



Digital Easy Moving C is designed to allow any X-Ray procedure with the minimum effort by the operator and providing comfort to the patient without further repositioning.



Dose Area Product (optional)
The DAP meter indicates the patient dose for each exposure.

Anticollision system
When the sensor at the front bumper senses any slight of pressure, the Mobile X-Ray Unit stops automatically. The wheels absorb shock vibrations.



Remote control (optional)
Cordless infrared hand switch for maximum radiation protection.

Digital Easy Moving C includes Canon image acquisition software **CXDI-NE**, with the latest technology in wireless connectivity and image processing.

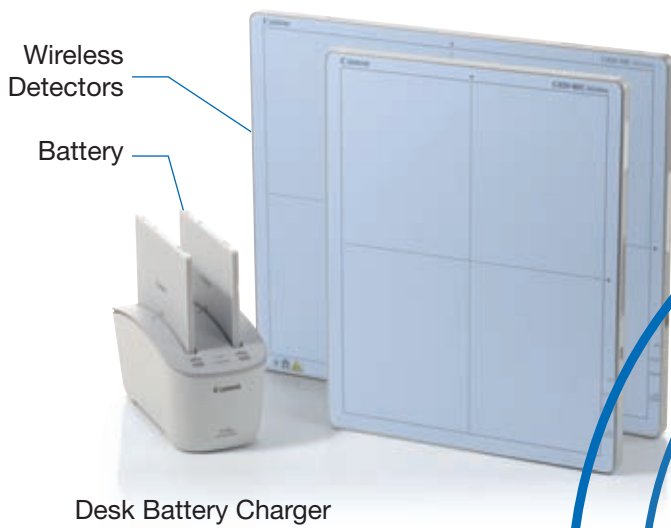


New 17" touch-screen, the largest in the market: High quality images, intuitive control panel, absolute user friendliness and operational efficiency.

CXDI-NE (APR bodypart mode)



- High image resolution of 1024 x 768 pixels.
- Instant display on large screen.
- Fully integrated: Imaging system integrated with X-Ray Generator parameters.
- High Algorithms for image processing (MLT (S)).
- Multiple studies supported (multiple exams for one patient, study pending).



Desk Battery Charger

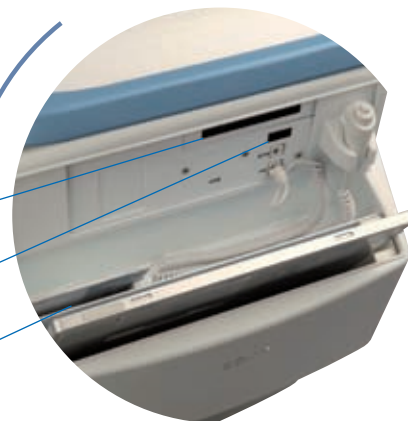
IR Data Communication unit (for CXDI-70C / 80C Detector)

The Mobile Unit is equipped with an IR Data Communication unit, used for register the Detector to the Mobile unit by infrared communication.

CD/DVD Recorder
IR WirelessData

Wireless Receptor

Detectors 70/80 C
Battery Pocket



WIFI Transmission to the Workstation, Printings and PACS

Compatible Detectors

Detachable Detectors

CXDI-501G/C

The new CXDI-501C/G is a DR unit which involves precision, dose efficiency and optimum versatility.

It is the lightest and thinnest detachable detector in the market.

The highly sensitive guarantees diagnostic images of the highest quality, with the lowest possible dose for your patient.



CXDI-55G/C CXDI-60G/C

- Light and thin portable detector with Ethernet I/F.
- Single Power Box for Multiple Sensors.
- Reduced X-Ray Dose.
- Including developed sensor unit, power box, remote SW, and grid unit.
- Increased robustness/durability for portable DR, durable coating, increased water resistance.



Wireless Detectors



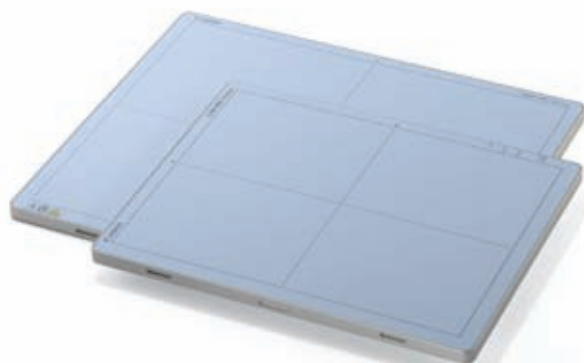
CXDI-70C / CXDI-80C

Canon and RADIOLOGÍA offer the Wireless Freedom in two sizes. CXDI-70C Wireless and CXDI-80C Wireless will simply cover all the application needs:

- Wireless Technology.
- Large and Small Cassette-size.
- Light Weight.
- High Resolution.
- High Sensitivity.

The New CXDI control software NE enhances workflows, provides immediate results and supports extensive network options.

Up to four detectors can be used in one room, offering maximum flexibility to accommodate the required workflow in any hospital or clinic.

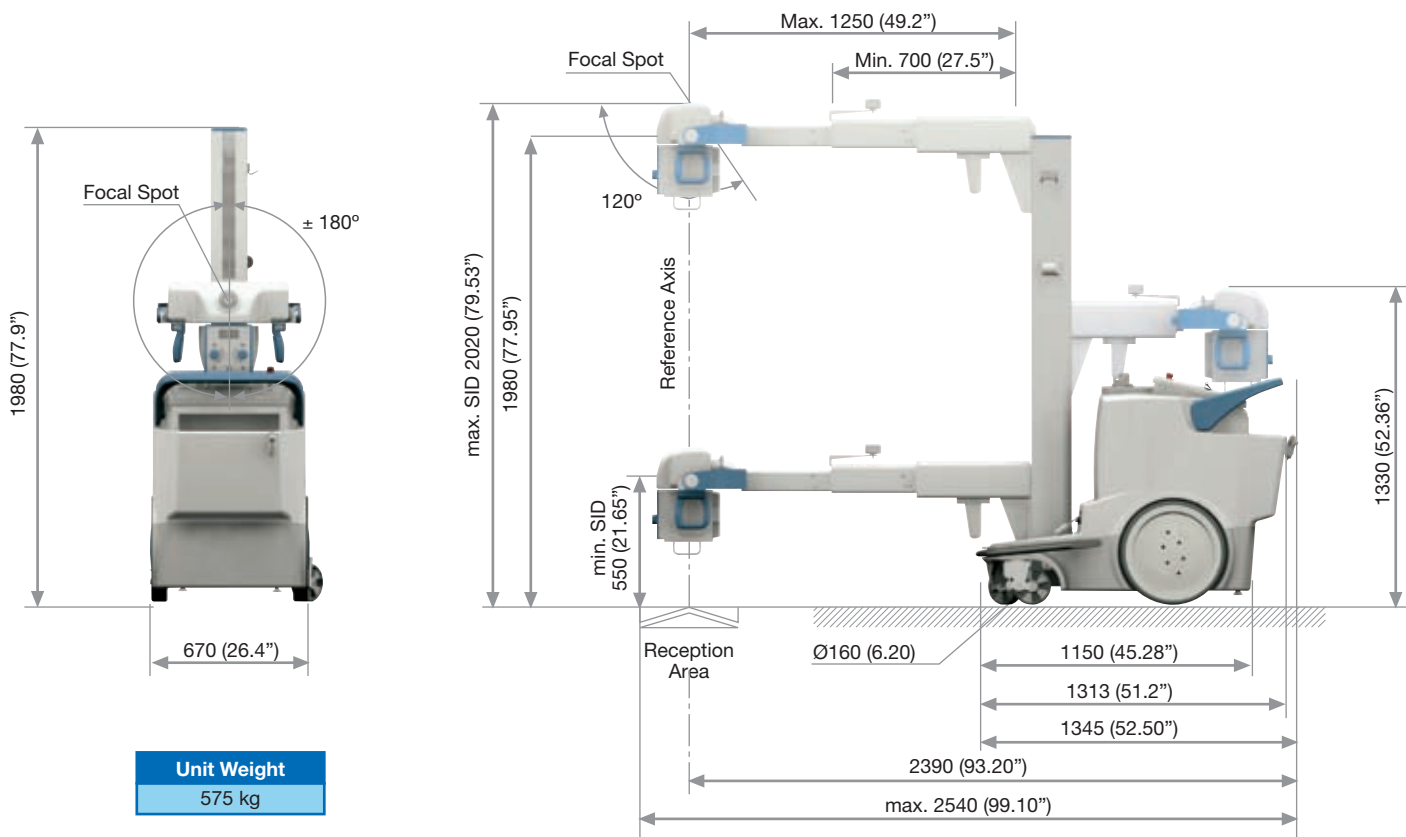


**Wireless freedom
in a compact size format**

Detectors specifications

Models	CXDI-501G/C	CXDI-55G/C CXDI-60G/C
Receptor Type	Amorphous Silicon Sensor	
Scintillator	CsI/GOS	G Gadolinium (GoS) / C Cesium (CsI)
Pixel Area	35 x 43 cm	35 x 43 cm / 23 x 28 cm
Pixel Matrix	2,800 x 3,408 (9.5 mega pixels)	2,208 x 2,688 pixels / 1,464 x 1,776 pixels
Pixel Pitch	125 µm	160 µm
Cable/Wireless	Cable	Detachable Cable
Dimension	46 x 42.4 x 1.5 cm	48 x 48.1 x 1.5 cm / 34.4 x 38 x 2.25 cm
Weight	3.1 kg (6.8 lbs.)	3.4 kg (7.5 lbs.) / 2.7 kg (5.9 lbs.)

Models	CXDI-70C Wireless	CXDI-80C Wireless
Imaging Area	35 x 43 cm (14" x 17")	27.4 x 35 cm (11" x 14")
Scintillator	Cesium Iodide Scintillator for high sensitivity (CsI)	Cesium Iodide Scintillator for high sensitivity (CsI)
Pixel Pitch	125 µm	125 µm
Resolution	2,800 x 3,408 (9.5 mega pixels)	2,200 x 2,800 (6.1 mega pixels)
Battery Performance	Approx. 140 images, when fully charged	Approx. 140 images (100 sec. cycle, 1 sec. sleep)
Wireless Connection	IEEE 802.11n (2.4 & 5 GHz dual band)	IEEE 802.11n (2.4 & 5 GHz dual band)
Dimensions	38.4 x 46.0 x 1.5 cm (15" x 18" x 0.6")	30.7 x 38.4 x 1.5 cm (12" x 15" x 0.6")
Weight	3.4 kg (7.5 lbs.)	2.5 kg (5.5 lbs.)
Preview image display	3 sec.	3 sec.
Full image display	5 sec.	5 sec.
Cycle time	15 sec.	15 sec.
Charging time	Less than 3 hours	Less than 3 hours
Composition	2 Batteries + Charger, Control PC, Advanced CXDI-NE software DICOM Storage, Print Management, Modality Worklist	



Digital Easy Moving C